



## FIRETABLES

BESPOKE FIRETABLE DESIGN &  
INSTALLATION INSTRUCTIONS

Natural Gas, LPG or Bioethanol.

The genius is in the detail.



# URBAN OUTDOORS

Tel: +(0)207 183 1806  
info@urban-outdoors.co.uk  
© Copyright Urban Outdoors LLP 2019

## BESPOKE FIRETABLES ARE FOR OUTSIDE USE ONLY. THEY MUST NOT BE USED INSIDE A DWELLING.

For use with the UF95ORCS or UF200ORCS Outdoor Gas Fireplace burner system  
- or as an alternative, a bioethanol (liquid fuel) burner to specification.

Read in conjunction with the UF95ORCS burner Installation & Users Instructions. GB/IE edition.

- Important: These appliances shall be installed in accordance with;
- This guidance booklet and the UF95ORCS Installation & Users Manual
- Local gas installation regulations and The Rules in Force
- BS 5440-1
- BS 5871-1:2005,
- BS 5871-3:2005
- BS 6891
- Any other relevant statutory regulations.
- Must be installed by a Registered Installer (NG & LPG)
- Converting this appliance for use with G31 Propane must be done by a Registered LPG Installer
- Urban Fires appliances are for use on Natural Gas (G20) at a supply pressure of 20mbar or LPG Propane (G31) at a supply pressure of 37mbar and Butane (G30) at 28-30mBar
- In IE, consult document I.S. 813:1996 Domestic Gas Installations.

It is strongly suggested that no work proceeds until all the components are on site.

## SPECIFY THE FIRETABLE BASE

There is a range of options if you break our firetable product down into its three basic components; (1) the base, (2) the tabletop and (3) the burner/ignition control system. We can supply any - or all - of these components to ensure we meet your project requirements.

We can supply a stainless steel base with built-in ventilation and drainage. Perfect for roof terraces where there may be loading weight restrictions.

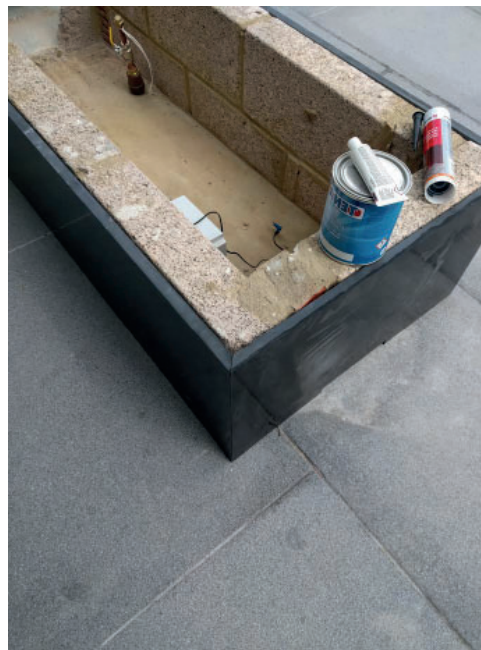


These steel bases can also be supplied in any powder-coated RAL colour at extra cost.

A stainless steel base will always be supplied with suitable provision for ventilation and drainage.

Many decks, patios and terraces are built with a fall, so if it is required that a stainless base must be levelled mechanically, it should be specified when ordering.

As an alternative, some clients (or their builders/site contractors) will build the base from simple masonry and then render or face with stone or granite:





## SPECIFY THE TABLETOP

The tabletop itself will be made from a UV/stain-resistant, frost proof and very dense material such as granite, porcelain or engineered stone. We fabricate our tabletops to appear to be an 80mm thick solid slab of stone and all the joints will be mitred. Each will have a watercut, rebated cutout which supports the gas burner, set 20mm beneath the top surface, thereby containing the Crystalight gas media and concealing the gas or bioethanol burner. A matching base can be made in the same way.



This one (above, right) is a waterjet textured granite tabletop and matching base, but granite may also be polished or honed. Our Photon construction methods allows installation on roof terraces or homes with difficult access. Photon uses 30+ beautiful [shades of porcelain](#).

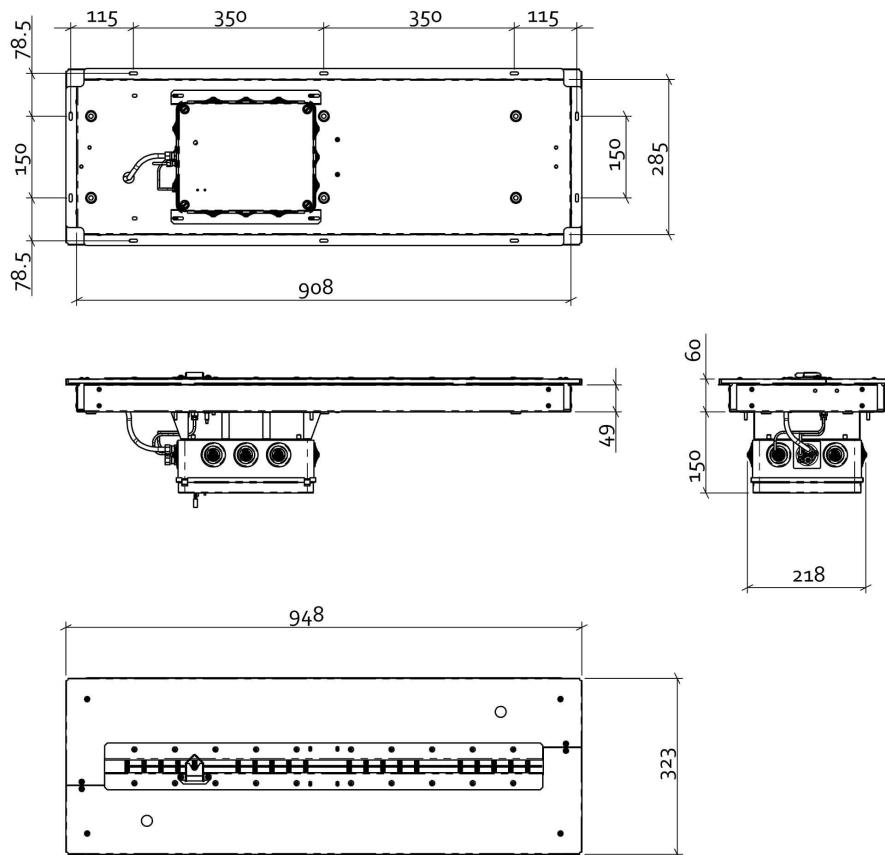
Engineered stone can be supplied in a wide choice of shades and colours from our Belgian materials supplier. On the left is a 1500mm length tabletop in honed Cemento Letano engineered stone. To the right is an installation in polished Sabia Griega, colour-matching the terrace tiles and garden furniture.



In each case, all of the dimensions can be amended to suit your project requirements. We also have a 2100mm length burner for larger firetables.

## SPECIFY THE GAS BURNER & FUEL BED

The remote control gas burner. Ours are CE-marked for use throughout Europe. We use electronic ignition controls fully encased in a weatherproof IP-rated enclosure and each will run on NG or LPG gases. Optionally, these burners may be operated by smartphone app or can be connected to home automation systems. When considering an outdoor gas burner, [please read this article](#).



Each burner is supplied with a 6v 1200mA transformer, a quantity of moulded ceramic glass Crystalight gas media (colour options), a flexible stainless steel final gas supply tube, an LPG conversion kit and a remote control handset.

Optionally, our [High Definition ceramic pebbles](#) may be added. Please ensure that you specify a colour/finish when ordering.

Bespoke burner trays can be supplied to make the burner look larger (and in some cases, smaller). For example, this 950mm burner in a 2200mm firepit with additional Crystalight gas media. Please ask for details:



Please note that we have alternative sized burners for specific applications. Lead time to produce a bespoke firetable is typically 12-20 working days for made-to-measure in granite, plus shipping time. Up to four weeks for bespoke polished concrete.

With a little more info from you, or a drawing/visual, we can raise a firm quotation.

## SPECIFY A BIOETHANOL BURNER

A bioethanol burner will give your imagination the freedom to design a fireplace for any outdoor space. With a manual ignition clean-burning bioethanol burner you can create a unique outdoor atmosphere, free from gas or 240v connections - but you cannot place faux fuel on these burners.

There is a wide range of bioethanol burner sizes in the manual ignition versions. Choose widths from 500, 700, 900 and 1200 in linear styles, or square or circular models for smaller firetables.



1200



900



700



500



SQUARE



CIRCULAR

## PRESTIGE BIOETHANOL BURNERS

700 and 1000 widths.

Fully automatic ignition, remote control by handset,

With optional Active LED unique glowing underbed lighting and slate or pebble options.

Requires a 240v connection.



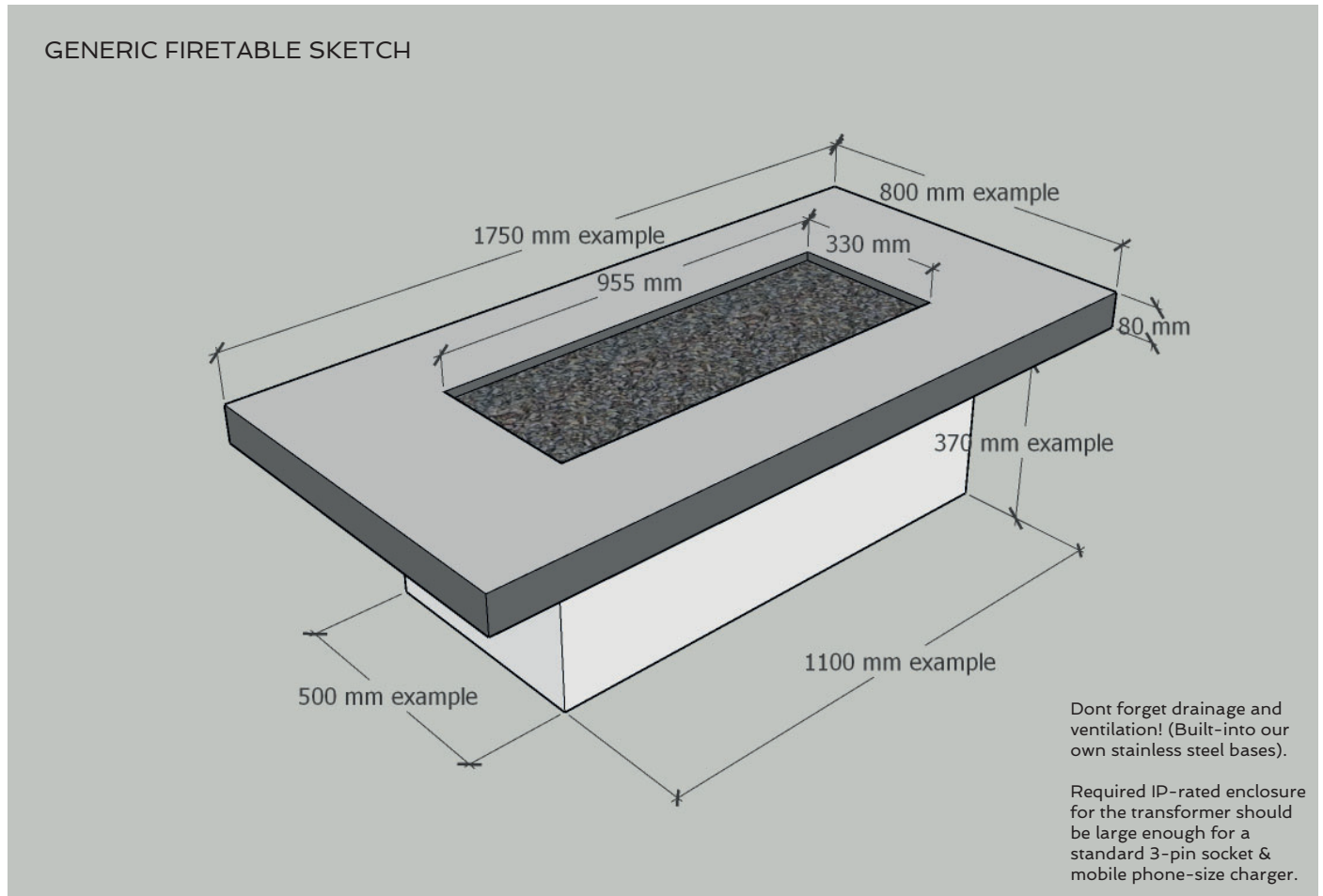


# BUILD THE FIRETABLE

READ THOROUGHLY BEFORE COMMENCING DESIGN & INSTALLATION  
URBAN FIRES OUTDOOR FIRETABLES ARE FOR OUTSIDE USE ONLY.  
THEY MUST NOT BE USED INSIDE A DWELLING.

We make firetables to measure, so will need an idea of your required sizes and preferred materials before we can quote accurately. Don't be scared of 'made to order' - you'll get a better job for much the same price and our products are made entirely in the UK, are European-wide CE marked for safety and reliability - and you will have a very wide choice of sizes and materials. Modify any of the dimensions below to suit the project.

[Or send us your visuals.](#)



Signature outdoor gas burners are clean-burn. Developed for harsh climates, they do not require glass to protect the pilot flame. (A liquid fuel bioethanol burner is an option).

Follow the Manufacturer's UF95ORCS User & Installation Manual for gas connection, LPG conversion (if required), wiring, testing, commissioning & operation.

Prior to installation of the tabletop, a suitable base should be built from masonry, granite or stone or a pre-fabricated stainless steel base can be supplied by Urban Fires. A suitable gas supply and a 240V electrical supply terminating with a standard 3-pin socket in an IP-rated enclosure will be required, located within the base and beneath the burner. Ideally, the site gas installer will mount a gas isolating tap within this space.

At least 40cm<sup>2</sup> ventilation must be supplied to the underside of the burner by means of vents built into the masonry base. An Urban Fires stainless steel base will be supplied with suitable cutouts for drainage and ventilation. **Many decks, patios and terraces are built with a fall, so if it is required that the base may be levelled mechanically, it must be specified when ordering.**

The tabletop itself will generally have been fabricated from either granite or engineered stone, it will have a rebated burner cutout to support the burner and it can be affixed to the base using marble adhesive. It should of course be levelled.

## GAS SUPPLIES & GAS BURNER INSTALLATION

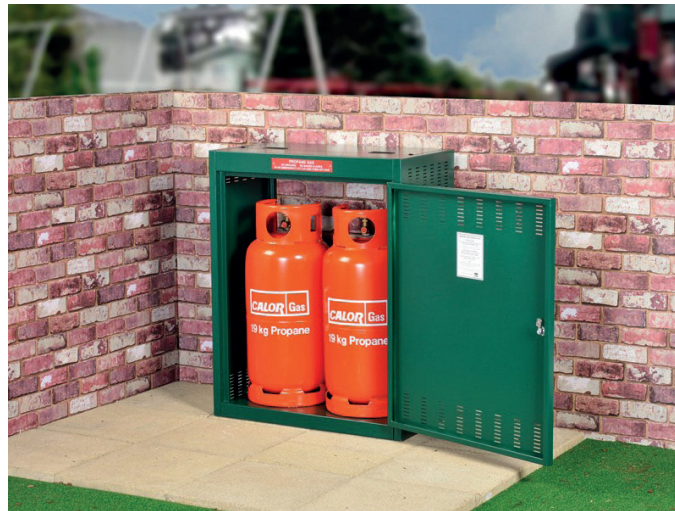
Installation of the burner tray and connection to the controls (see separate burner manufacturer's User & Installation instructions documents) must be completed by a registered gas installer or (optionally) by our own technicians, before hand-over of the installation to the client.

This is a summary of the required infrastructure:

- \* Install any masonry with a DPC
- \* 40cm<sup>2</sup> free air ventilation to be supplied to the underneath of the burner.
- \* Suitable drainage to good practice to be supplied by site contractors beneath a masonry base. Rainwater must not be allowed to pool. Create a fall towards the drainage point.
- \* Suitable NG/LPG supply for 15kW/hr with isolating tap and 15mm copper tail required to location. **MDPE pipe is not suitable for use in the void beneath the burner.** We recommend Tracpipe or finishing in copper .
- \* A 240v supply in an IP-rated enclosure (not supplied) with a standard 3-pin socket, suitably sized for our transformer (see dims page 5). This is one that we would typically use: <http://www.tlc-direct.co.uk/Products/GWBX645.html> You will need the following components:

- (1) GWBX645 150 x 110 x 140mm IP56 Moulded Box
- (2) EK241B 13mm Nylon Compression Gland Black for Cable 5-7mm
- (3) EK79B 13mm Nylon Lock Ring - Black

\*For LPG installations, we recommend a minimum propane cylinder size of 2 x 19kg, preferably linked together by a changeover valve/regulator so that the gas doesn't run out unexpectedly on a Saturday evening:



There are many methods of safely concealing gas cylinders, please ask for details.

## FINALLY

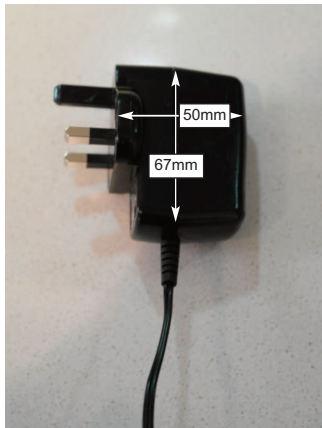
- Remove any transit film from a stainless base before commissioning the burner system.
- Clean the firetable of any building/garden debris before hand-over.
- Oil stainless steel bases with WD40, Baby Oil, or the like.
- Powder-coated bases may be cleaned with a damp cloth.
- Describe to the End User how to use the remote control.

**Advise the End User of the cleaning instructions (see User Instructions) plus the need for annual servicing.**

**IN THE EVENT THE FIREPLACE IS TO OPERATE ON LPG GAS (CALOR GAS) FOR EXAMPLE, PLEASE ASK FOR GUIDANCE FOR THE INSTALLATION AND STORAGE OF PROPANE CYLINDERS.**



## TRANSFORMER DIMENSIONS & SERVICES



NOTE: Transformer dimensions are subject to change without notice.

Transformers operate at 6v and 1200mAmp.



To avoid additional installation charges, it is important, that all energy services and drainage & ventilation of the void, are in safe and working condition on the day of connection, commissioning & certification.