



## FIREBOWLS

### FIREBOWL SPECIFICATION & INSTALLATION GUIDANCE

The genius is in the detail.

Natural Gas, LPG or Bioethanol.



# URBAN OUTDOORS

Tel: +(0)207 183 1806  
info@urban-outdoors.co.uk  
© Copyright Urban Outdoors LLP 2019

**FIREBOWLS ARE FOR OUTSIDE USE ONLY.  
THEY MUST NOT BE USED INSIDE A DWELLING.**

For use with the UF67ORCS Outdoor Gas Fireplace burner system,  
or a bioethanol (liquid fuel) burner to specification.

Read in conjunction with the UF67ORC burner Installation & Users Instructions. GB/IE edition.

Important: These appliances shall be installed in accordance with;

- This guidance booklet and the UF67ORC Installation & Users Manual
- Local gas installation regulations and The Rules in Force
- BS 5440-1
- BS 5871-1:2005,
- BS 5871-3:2005
- BS 6891
- Any other relevant statutory regulations.
- Must be installed by a Registered Installer (NG & LPG)
- Converting this appliance for use with Propane must be undertaken by a Registered LPG Installer
- Urban Fires appliances are for use on Natural Gas (G20) at a supply pressure of 20mbar or LPG Propane (G31) at a supply pressure of 37mbar and Butane (G30) at 28-30mBar
- In IE, consult document I.S. 813:1996 Domestic Gas Installations.

**It is strongly suggested that no work proceeds until all the components are on site.**

# SPECIFY THE ASTRA FIREBOWL

## GAS OR BIOETHANOL?

We have a standard-size firebowl made from special concrete. It's easy to decide on a colour that will match the project (see below) and a burner type using mains gas from the house - NG - or LPG cylinders.

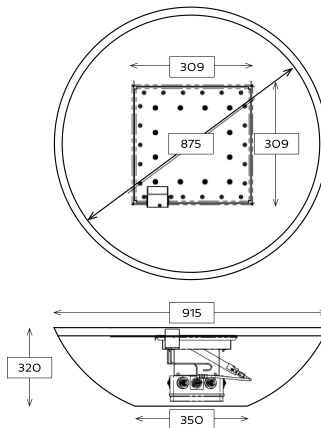
Our Love Island gas firebowl is the Astra - at 914mm diameter - fitted with our UF67ORCS outdoor gas burner, but which can be converted in our workshop for use with an 8 litre bioethanol liquid fuel burner - see Page 5.

Here are the standard Astra colour options:



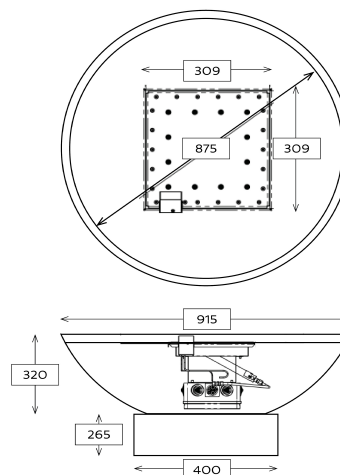
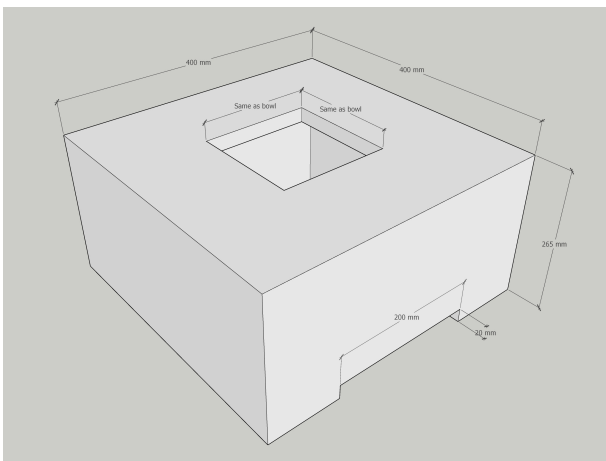
Of course, we can also bespoke our production procedures so that you can - optionally - specify a special colour, at extra cost. Further, if you don't want to lay a gas supply pipe or an electrical supply, we can produce an Astra firebowl with a bioethanol (liquid fuel) burner option.

## ASTRA FIREBOWL DRAWING



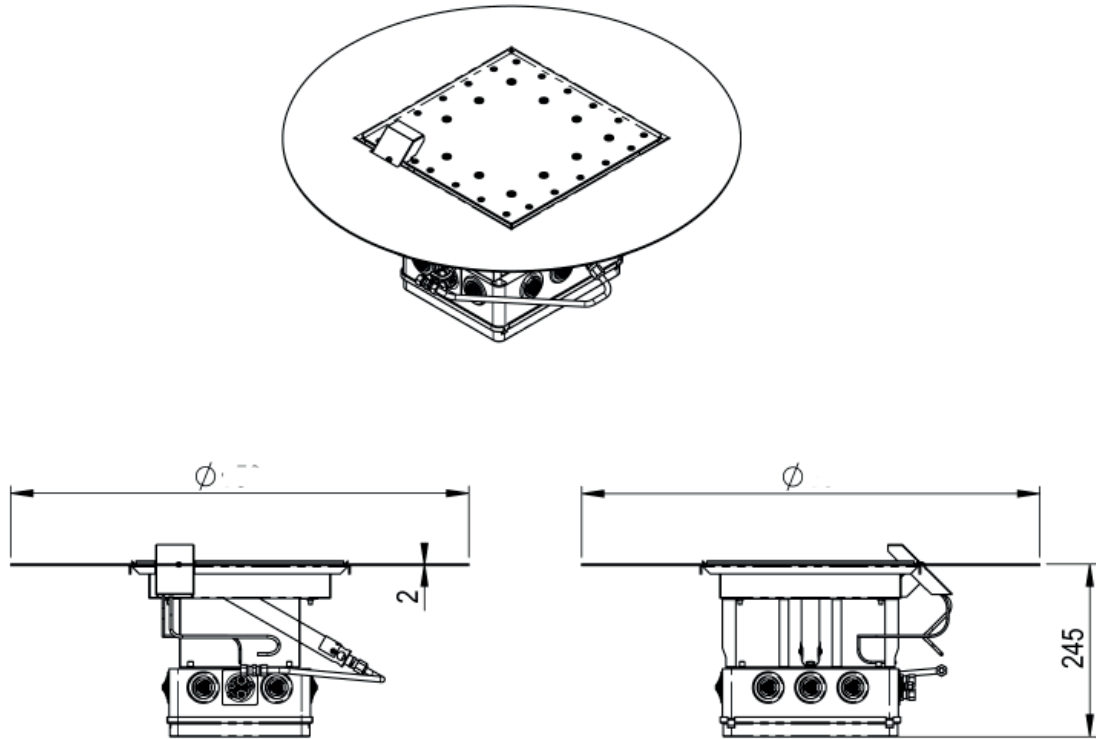
It is important that there is sufficient space within the void beneath the patio/deck structure for the gas and 240v supplies, which includes a termination control (gas tap) and a small IP-rated enclosure for our transformer - see Pages 6/7.

In the event there is insufficient space we can provide a matching concrete Plinth which also allows drainage and ventilation with the same colour options.



## SPECIFY A GAS BURNER & FUEL BED

The remote control gas burner - ours are CE-marked for use throughout Europe - is a standard fitting. The electronic ignition & gas valve controls are fully encased in a weather resistant IP-rated enclosure and each will run on NG or LPG gases. Optionally, our gas burners also may be operated by smartphone app (a strong WiFi signal will be required) or can be hardwired to most home automation systems using our interface cable. When considering an outdoor gas burner, [please read this article](#).



Each burner is supplied with a 6v 1200mA transformer, a quantity of Black Crystalight moulded ceramic glass gas media (with White or Clear colour options), a flexible stainless steel final gas supply tube, an LPG conversion kit and a Symax remote control handset.

Optionally, our High Definition ceramic pebbles may be added, there is a choice of five colours:



Please ensure that you specify the Crystalight gas media and pebble colour when ordering.

Lead time to produce a firebowl to your specification is typically 12-20 working days.

With a little more info from you, we can raise a firm quotation.



## SPECIFY A FIREBOWL & BIOETHANOL BURNER

A bioethanol burner gives the freedom to locate a firebowl within almost any outdoor space. There is no need for a gas pipe or an electrical supply. We offer this range of bowl sizes (600 dia, 760 dia, 850 dia or 1000 dia), in three colours and two styles:



Moreno 600 or 850 Bonemeal



Moreno 600 or 850 Graphite



Moreno 600 or 850 Natural



Portland 760 or 1000 Natural



Portland 760 or 1000 Graphite

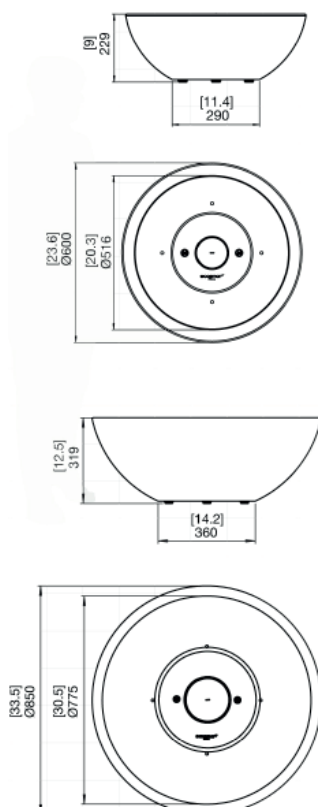


Portland 760 or 1000 Bonemeal

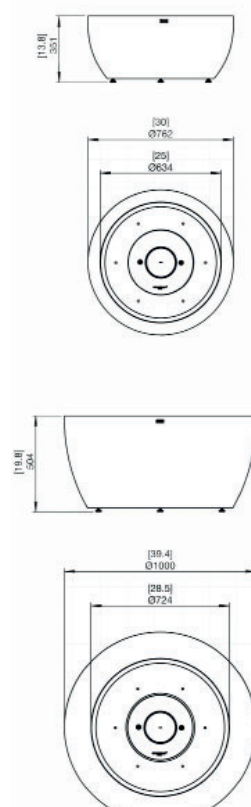
With a manual ignition, clean-burning bioethanol burner, designers can create a unique atmosphere, free from energy connections - you cannot place faux fuel (logs or pebbles) directly onto these burners - although such 'fuel' may be placed around the burner. You can also choose from 3 litre or 8 litre reservoirs.

## DRAWINGS

### MORENO



### PORTLAND



## GAS SUPPLIES & GAS BURNER INSTALLATION

Installation of the gas burner and connection to the controls (see separate manufacturer's User & Installation instructions documents) must be completed by a registered gas installer or (optionally) by our own technicians, before hand-over of the installation to the client.

This is a summary of the required infrastructure:

- \* Install any masonry with a DPC
- \* 40cm<sup>2</sup> free air ventilation to be supplied to the underneath of the burner.
- \* Suitable drainage to good practice to be supplied by site contractors beneath a masonry base. Rain water must not be allowed to pool. Create a fall towards the drainage point.
- \* Suitable NG/LPG supply for 15kW/hr with isolating tap and 15mm copper tail required to location. **MDPE pipe is not suitable for use in the void beneath the burner.** We recommend Tracpipe or terminating in copper .
- \* A 240v supply in an IP-rated enclosure (not supplied) with a standard 3-pin socket, suitably sized for our transformer (see dims page 5). This is one that we would typically use: <http://www.tlc-direct.co.uk/Products/GWBX645.html> You will need the following components:

- (1) GWBX645 150 x 110 x 140mm IP56 Moulded Box
- (2) EK241B 13mm Nylon Compression Gland Black for Cable 5-7mm
- (3) EK79B 13mm Nylon Lock Ring - Black

- \* For LPG installations, we recommend a minimum propane cylinder size of 2 x 19kg, preferably linked together by a changeover valve/regulator so that the gas doesn't run out unexpectedly on a Saturday evening:



There are many methods of safely concealing gas cylinders, please ask for details.

## FINALLY

Clean the firebowl of any handling marks and building/garden debris before hand-over.

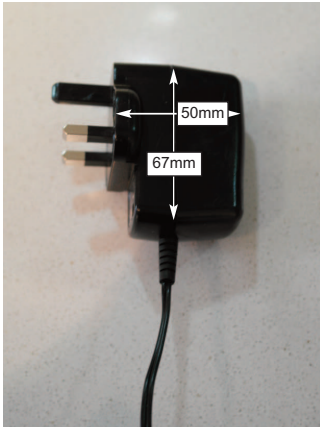
Remind the End User that the weathercover must be used at all time sthe firebowl is not in use.

Describe to the End User how to use the remote control

**Advise the End User of the cleaning instructions (see User Instructions) plus the need for annual servicing.**

**IN THE EVENT THE FIREPLACE IS TO OPERATE ON LPG GAS (CALOR GAS) FOR EXAMPLE,  
PLEASE ASK FOR GUIDANCE FOR THE INSTALLATION AND STORAGE OF PROPANE CYLINDERS.**

## TRANSFORMER DIMENSIONS & SERVICES



Transformers are supplied with UK and European plugs.

NOTE: Transformer dimensions are subject to change without notice.

Transformers operate at 6v and 1200mAmp.



To avoid additional installation charges, it is important, that all energy services (gas & 240v) are in safe and working condition on the day of connection, commissioning & certification - plus correct drainage & ventilation of the void.